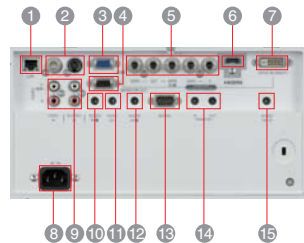


New XL7100U/WL7200U/UL7400U

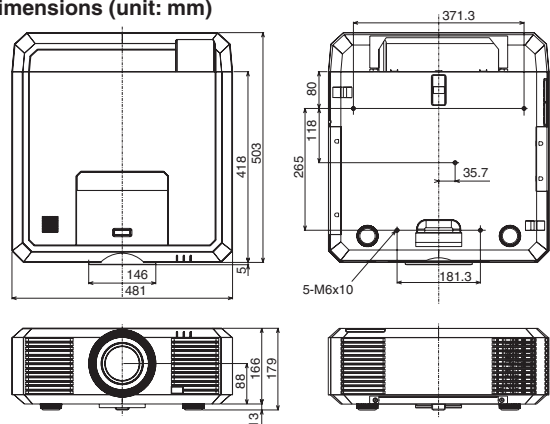


Connection Terminals

- 1 LAN (RJ-45)
- 2 Video / S-Video
- 3 PC/Component video in-1
- 4 Monitor out
- 5 PC/Component video in-2
- 6 HDMI
- 7 DVI-D in (HDCP)
- 8 Power in (3-pin with earth terminal)
- 9 Audio in [RCA (L/R)]
- 10 Audio in-1
- 11 Audio out
- 12 Audio in-2
- 13 Serial RS-232C (I/O)
- 14 Remote in/out
- 15 Audio DVI-D

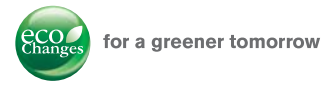


Dimensions (unit: mm)



* The lens focal point is the default set at the time of shipment from the factory.

Options



Eco Changes is the Mitsubishi Electric Group's environmental statement, and expresses the Group's stance on environmental management. Through a wide range of businesses, we are helping contribute to the realization of a sustainable society.

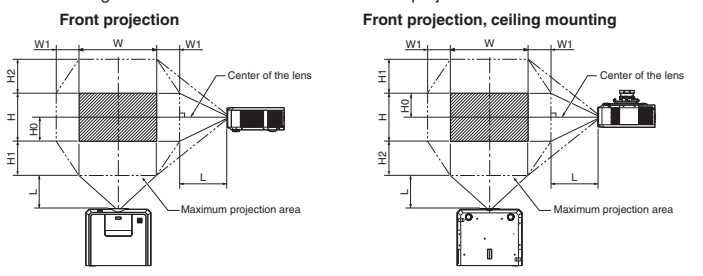
Specifications

Model	XL7100U	WL7200U	UL7400U
Display technology	0.8" 3-LCD	0.75" 3-LCD	0.76" 3-LCD
Resolution	1024 x 768 (Total 786,432 pixels)	1280 x 800 (Total 1,024,000 pixels)	1920 x 1200 (Total 2,304,000 pixels)
Brightness*1 (Iris off)	6000 lm	5500 lm	5000 lm
Contrast ratio*1	2000:1 (Iris on)		
Projection lens	f = 24.0-43.2mm, F = 1.8-2.6		
Zoom / focus	Powered focus / zoom (zoom ratio 1.8:1)		
Throw ratio	1.5 - 2.7	1.5 - 2.7	1.4 - 2.6
Picture size	40"-300" (100"=3.0m)	40"-300" (100"=3.1m)	40"-300" (100"=3.1m)
Estimated lamp life	Standard mode: 350W (Shut off time 3000 hrs) Low mode: 264W (Shut off time 4000 hrs)		
Computer compatibility	Resolution: 640 x 400 - 1920 x 1200 True: 1024 x 768, Sync-on-Green available	Resolution: 640 x 400 - 1920 x 1200 True: 1280 x 800, Sync-on-Green available	Resolution: 640 x 400 - 1920 x 1200 True: 1920 x 1200, Sync-on-Green available
Video compatibility	NTSC / NTSC 4.43 / PAL (including PAL-M, N) / SECAM / PAL-60 Component video: 480i/p (525i/p), 576i/p (625i/p), 720p (750p 50/60Hz), 1080i (1125i 50/60Hz), 1080p (1125p 50/60Hz) SCART (RGB + 1V sync, only mini D-sub 15-pin Terminal)		
Input terminals	PC: 5 BNC x 1, mini D-sub 15-pin x 1, DVI-D (with HDCP) x 1, PC Audio; Stereo mini jack (ø3.5mm) x 3 Video: BNC x 1, S-Video (4-pin) x 1, HDMI (Ver 1.3, with Deep Color) x 1 (Only PCM audio is supported.), Audio: RCA (L/R) x 2		
Output terminals	RGB: mini D-sub 15-pin x 1 / Audio: Stereo mini jack (ø3.5mm) x 1 (Variable out)		
Communication terminals	LAN (RJ-45): x 1 (projector control), SERIAL (in): D-sub 9-pin (male) x 1 (direct command is available.), Wired remote (in): x 1 (ø3.5mm stereo mini jack), Wired remote (out): x 1 (ø3.5mm stereo mini jack),		
Dimensions (W x H x D)	18.9 x 6.8 x 16.5 inch (excluding detachable terminal cover and protrusion)		
Weight	23.2lbs (excluding detachable terminal cover)		
Power supply	AC 100 - 240V, 50/60Hz		
Included Accessories	AC Power Cable, RGB cable, RS-232C cable, Terminal-Cover, Remote Unit (incl. Battery), User Manual CD, Safety Manual		
Warranty	3-Years or 10,000 hours (whichever comes first) Limited P&L Warranty, Express Replacement Assistance (ERA) during the warranty period, 1-yr or 500hrs lamp warranty (whichever comes first)		

*1) Compliant with ISO21118-2005.
*Varies depending on condition.
*Lamp life specification is an estimate based on verification under proper conditions and is not the duration of the warranty. Lamp will shut-off automatically when usage reaches the specified estimated maximum lamp hours. Service life may vary widely depending on usage and operating environment and conditions, as well as users' adherence to the maintenance and cleaning procedures provided in the user manual.
*HDMI, the HDMI Logo, and High-Definition Multimedia Interface are trademarks or registered trademarks of HDMI Licensing LLC in the United States and other countries.
*All brand names and product names are trademarks, registered trademarks or trade names of their respective holders.

Screen Size and Projection Distance

Refer to the following table to determine the screen size and projection distance.



■ **XL7100U**

Diagonal Size	Screen (XGA 4:3)			Distance from Screen		Default Height Projected Image (HO)	Movable V Position from Default Position			Movable H Position from Default Position													
	Width	Height	Shortest (Wide)	Longest (Tall)	Down		Up	Down	Up	Left	Right	Left	Right										
40	102	32	81	24	61	46	1.2	65	2.1	-12	-30	14	0	-14	37	0	-37	10	0	-10	24	0	-24
60	152	48	122	36	91	70	1.8	128	3.2	-18	-46	22	0	-22	55	0	-55	14	0	-14	37	0	-37
80	203	64	163	48	122	94	2.4	171	4.3	-24	-61	29	0	-29	73	0	-73	19	0	-19	49	0	-49
100	254	80	203	60	152	118	3.0	214	5.4	-30	-76	36	0	-36	91	0	-91	24	0	-24	61	0	-61
150	381	120	305	90	229	177	4.5	322	8.2	-45	-114	54	0	-54	137	0	-137	36	0	-36	91	0	-91
200	508	160	406	120	305	237	6.0	430	10.9	-60	-152	72	0	-72	183	0	-183	48	0	-48	122	0	-122
250	635	200	508	150	381	297	7.5	538	13.7	-75	-191	90	0	-90	229	0	-229	60	0	-60	152	0	-152
300	762	240	610	180	457	357	9.1	646	16.4	-90	-229	108	0	-108	274	0	-274	72	0	-72	183	0	-183

■ **WL7200U**

Diagonal Size	Image (WXGA 16:10)			Distance from Screen		Default Height Projected Image (HO)	Movable V Position from Default Position			Movable H Position from Default Position													
	Width	Height	Shortest (Wide)	Longest (Tall)	Down		Up	Down	Up	Left	Right	Left	Right										
40	102	34	86	21	54	48	1.2	89	2.3	-11	-27	15	0	-15	38	0	-38	10	0	-10	26	0	-26
60	152	51	129	32	81	73	1.9	134	3.4	-16	-40	22	0	-22	57	0	-57	15	0	-15	39	0	-39
80	203	68	172	42	108	99	2.5	180	4.6	-21	-54	30	0	-30	75	0	-75	20	0	-20	52	0	-52
100	254	85	215	53	135	124	3.1	225	5.7	-26	-67	37	0	-37	94	0	-94	25	0	-25	65	0	-65
150	381	127	323	79	202	187	4.7	338	8.6	-40	-101	56	0	-56	141	0	-141	38	0	-38	97	0	-97
200	508	170	431	106	269	249	6.3	452	11.5	-53	-135	74	0	-74	188	0	-188	51	0	-51	129	0	-129
250	635	212	538	132	337	312	7.9	565	14.4	-66	-168	93	0	-93	236	0	-236	64	0	-64	162	0	-162
300	762	254	646	159	404	375	9.5	679	17.2	-79	-202	111	0	-111	283	0	-283	76	0	-76	194	0	-194

■ **UL7400U**

Diagonal Size	Image (WUXGA 16:10)			Distance from Screen		Default Height Projected Image (HO)	Movable V Position from Default Position			Movable H Position from Default Position													
	Width	Height	Shortest (Wide)	Longest (Tall)	Down		Up	Down	Up	Left	Right	Left	Right										
40	102	34	86	21	54	48	1.2	88	2.2	-11	-27	13	0	-13	32	0	-32	10	0	-10	26	0	-26
60	152	51	129	32	81	73	1.9	133	3.4	-16	-40	19	0	-19	45	0	-45	15	0	-15	39	0	-39
80	203	68	172	42	108	97	2.5	177	4.5	-21	-54	25	0	-25	65	0	-65	20	0	-20	52	0	-52
100	254	85	215	53	135	122	3.1	222	5.6	-26	-67	32	0	-32	81	0	-81	25	0	-25	65	0	-65
150	381	127	323	79	202	184	4.7	334	8.5	-40	-101	48	0	-48	121	0	-121	38	0	-38	97	0	-97
200	508	170	431	106	269	246	6.3	446	11.9	-53	-135	64	0	-64	162	0	-162	51	0	-51	129	0	-129
250	635	212	538	132	337	308	7.8	559	14.2	-66	-168	79	0	-79	202	0	-202	64	0	-64	162	0	-162
300	762	254	646	159	404	371	9.4	671	17.0	-79	-202	95	0	-95	242	0	-242	76	0	-76	194	0	-194

* The above figures are approximate and may be slightly different from the actual measurements.



MULTIMEDIA DATA/VIDEO PROJECTORS

Changes for the Better

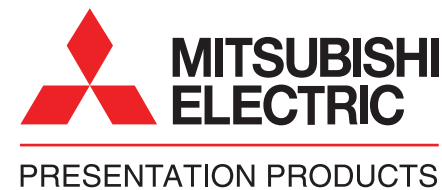


Striking Images, Simple to Use...
From Installation to Operation –
Amazingly High Quality in Every Aspect



**XL7100U
WL7200U
UL7400U**

**MITSUBISHI ELECTRIC
VISUAL SOLUTIONS AMERICA**
Presentation Products Division
Phone: 888.307.0349
www.mitsubishi-presentations.com



**MITSUBISHI ELECTRIC SALES
CANADA, INC.**
Display & Imaging Solutions Division
Phone: 905.475.7728
www.mitsubishielecric.ca

for a greener tomorrow